

GM Glasswasher

High efficiency, high performance recirculating glasswasher.

With water consumption of less than 2 litres per cycle, the Starline GM is exceptionally efficient, while providing excellent wash performance with a high volume recirculating wash pump.

Water is recirculated over glasses at around 100 litres per minute.

Rapid - one minute cycle.

Precision peristaltic detergent injector included standard.

Door clearance is a tall 290mm high - the GM accepts specialty beer glasses, carafes etc., and all glassracks 435 mm (17 inch) square and smaller.

FASTCLEAN wash arms and removable rackslide ensure ease of cleaning. 150mm legs for cleaning access beneath machine.

The Starline GM is easy to install with 500mm wide cabinet and 150mm legs.

Supplied with two glassracks.



Starline products are proudly manufactured in New Zealand by Washtech. Over 25 years Washtech has earned the position of Australasia's leading wash equipment manufacturer by providing robust, reliable machines designed for ease of service and years of effective, efficient operation.



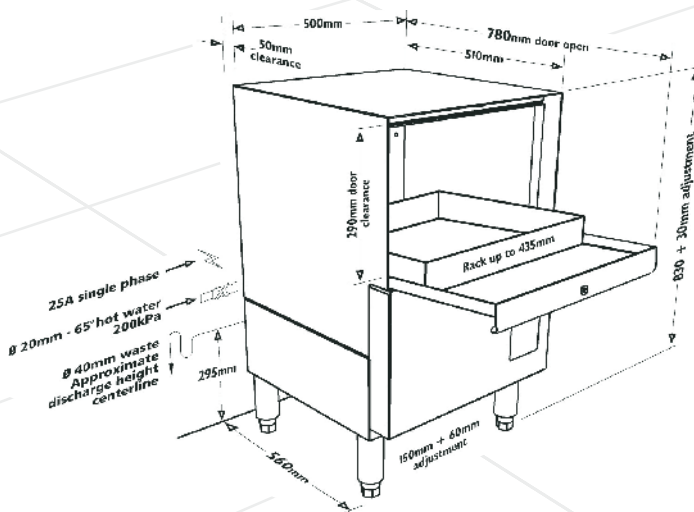
ISO 9001 certified and audited since 1993 - our equipment complies with all local hygiene, electrical and plumbing regulations.



Washtech products are supported nationwide by the STARLINE Service Network to ensure long term access to parts and after sales support and service including preventative maintenance programmes.

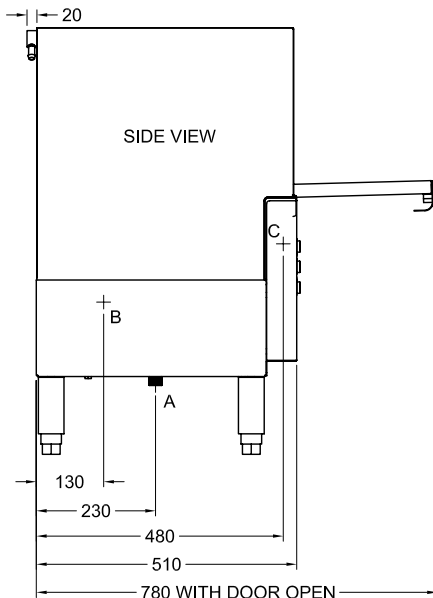
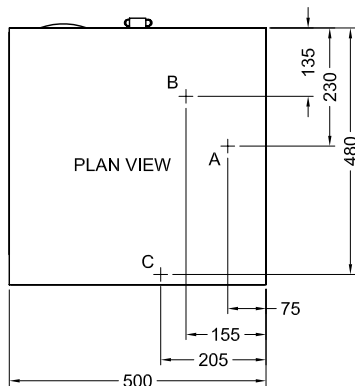
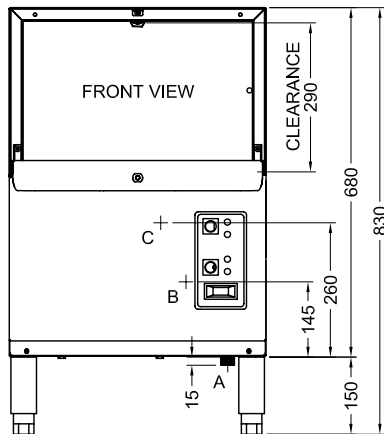


In line with policy to continually develop and improve it's products Washtech reserves the right to change specifications and design without notice.



Installation drawing and detail overleaf.

GM Glasswasher



ALL DIMENSIONS IN MILLIMETRES

- A HOT WATER SUPPLY
- B WASTE
- C POWER SUPPLY

Installer must be suitably qualified and ensure compliance with all local codes and standards including AS/NZS3500.1. Failure to comply even partially with installation instructions may void the warranty. Install machine on sound waterproof self-draining floor, with adjacent surfaces sealed against water and/or light steam. Use the adjustable feet to level the machine. Allow room for detergent to one side of machine or in adjacent cupboard. 20 litre container requires about 450H x 250W x 350D but smaller containers are available from many suppliers.

Water Supply

Hot water temperature	65°C ± 5°C
Connection	20 mm (3/4" BSP) male
Pressure	200 kPa = 30 psi
Flow rate minimum	15 litres per minute
Water consumption	2 litres per cycle approx
Backflow prevention	Atmospheric Vacuum Breaker

Pressure limiter may be required. Don't use small diameter plastic supply lines. FLUSH supply line before connection. Poor quality supply or excessive water hardness may affect performance or damage machine - filtration and/or softening is recommended. Optional rinse booster pump available for very low pressure.

Waste

40 mm gravity drain - refer to point B in the installation diagram - run waste directly behind the machine or through base.

Power

Electrical supply is single phase 230V 25A 50Hz, permanently wired via wall switch mounted adjacent to machine. Machine may also be installed on a 15A single phase circuit (with reduced rinse heating). For this requirement remove double adaptor and Red 0.75 wire from rinse over-temperature thermostat and reconnect Red 1.5 mm wire to the over-temp thermostat.

Detergent

Insert pump inlet hose into container of commercial low foam detergent. Open machine door and switch machine on. Press and hold detergent prime switch behind front cover until chemical flows into machine. Commercial detergents can be hazardous - read instructions and handle with care.