

AL

PASSTHROUGH DISHWASHER



Operator Manual

Foreword

User documentation

Please read this manual and keep it in a safe place for future reference.



WARNING

Before installation and commissioning, you must read the safety instructions and warnings carefully and all the warning labels attached to the equipment.



IMPORTANT

Failure to comply (even partially) with the instructions given in this manual will invalidate the product warranty and relieves the manufacturer of any responsibility.



IMPORTANT

The alteration of machine operation, design or the replacement of parts not approved by the manufacturer may void warranties and approvals.

Warranty Registration

Complete the information below for quick reference.

Model Number _____ Serial Number _____

Purchased from _____ Date of Purchase _____

If you require further information regarding authorised service providers or recommended detergent suppliers in your region, or have any other queries, please do not hesitate to contact us.



IMPORTANT

TO VALIDATE YOUR WARRANTY, PLEASE COMPLETE AND RETURN THE WARRANTY REGISTRATION CARD WITHIN 30 DAYS FROM THE DAY OF PURCHASE.

Information supplied in this manual is copyright. No part of this work may be reproduced or copied in any form or by any means, electronic or mechanical without the express permission of the author / publisher. Document subject to change without prior notice.



Manufactured in
New Zealand by

WASHTECH®

24HR Service 09 829 0923

414 Rosebank Road, Avondale, New Zealand, Tel 09 829 0930, Fax 09 829 0935
PO Box 90548, Auckland

Safety Instructions



WARNING

Equipment contains dangerous voltages and can be hazardous if installed or operated incorrectly. Non-compliance with **Warnings** or failure to follow the instructions contained in this manual can result in loss of life, severe personal injury or serious damage to property.

Installation

- ◆ Use qualified, skilled personnel
- ◆ Follow installation instructions
- ◆ Connect to correct voltage and supply current
- ◆ Provide fully accessible Electrical Isolation Switch

Training and Supervision

- ◆ Read and Understand the Operating instructions
- ◆ Train all staff
- ◆ This appliance is not intended for use by young children, who must be supervised to ensure they do not play with the appliance
- ◆ This appliance is not intended for use by infirm persons without supervision
- ◆ This appliance is not intended for use as a stepladder

Hot Surfaces

- ◆ Be aware some surfaces can be hot

Chemicals

- ◆ Commercial dishwashing detergents are hazardous
- ◆ Read and follow the safety information found on the labels of detergent containers and Material Safety Data Sheets
- ◆ Handle with care
- ◆ Use protective eyewear and clothing if decanting containers

Hot Water

- ◆ Door safety switches are designed for emergency use only
- ◆ Wait for the green cycle light to go out before opening the door
- ◆ Wash water is 60°C and contains caustic detergent so DO NOT put hands in wash water

Cleaning

- ◆ DO NOT hose down the machine or splash water over the exterior
 - ◆ Watch for broken glass etc when cleaning the inside of the machine
-

Installation



WARNING

Installer must be suitably qualified and ensure compliance with all codes and standards including AS/NZS3500.1.



Failure to comply even partially with installation instructions may void the warranty.

Positioning

Unpack machine, check for damage and complete delivery. Install machine on sound waterproof self-draining floor and use adjustable feet to level machine. Allow room for detergent to one side of machine or in adjacent cupboard. 20litre container requires about 450H x 250W x 350D, but smaller containers are available from many suppliers.

Benchwork

Refer Bench Details diagram.

In corner installations the front of the machine must face to the left of the corner. In corner installations high or angled bench return off wall may clash with door handle. Level and secure machine and benches. Adjust to ensure smooth travel of rack through machine.

Water Supply

Hot water temperature	65°C ± 5°C
Connection	15 mm (1/2" BSP Male)
Flow rate minimum	20 litres per minute
Consumption per cycle	3.5 litres approximately
Backflow prevention	Vacuum Breaker fitted standard
Pressure	200-400 KPa = 30-60 Psi.

Above this range fit pressure limiter. Don't use small diameter plastic supply lines. FLUSH supply line before connection. Poor quality supply or excessive water hardness may affect performance or damage machine – filtration and/or softening is recommended.

Waste

40 mm gravity drain – refer point B on installation diagram – run waste directly behind the machine, through knock outs in side panels or through hole in base.

Power

Machine requires 3 Phase, Neutral and Earth, 400/415V, 50Hz, 15A/ph, permanently wired via wall switch mounted adjacent to machine. Wash pump rotation must be checked after installation to ensure correct direction (causes excessive noise and damage).

Detergent Pump

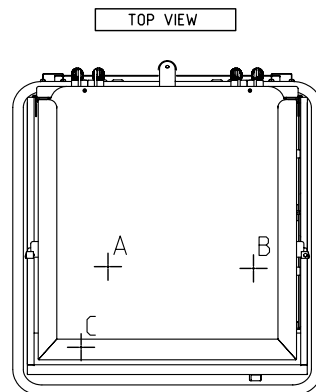
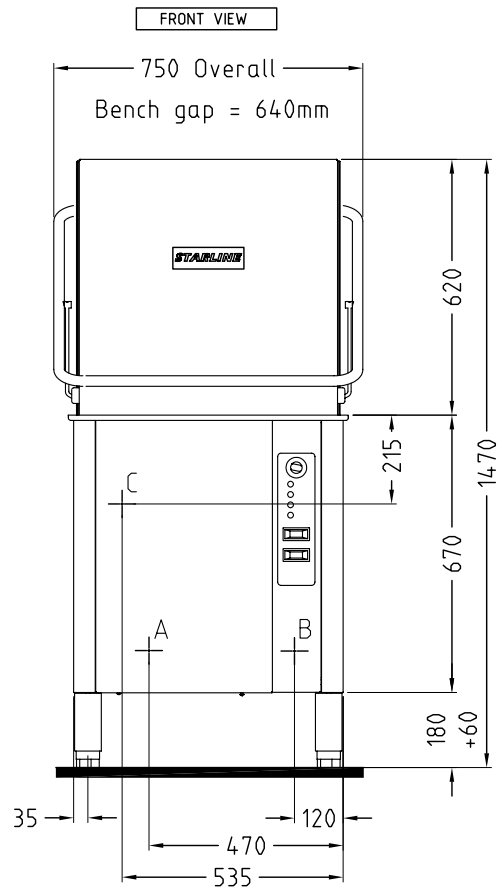
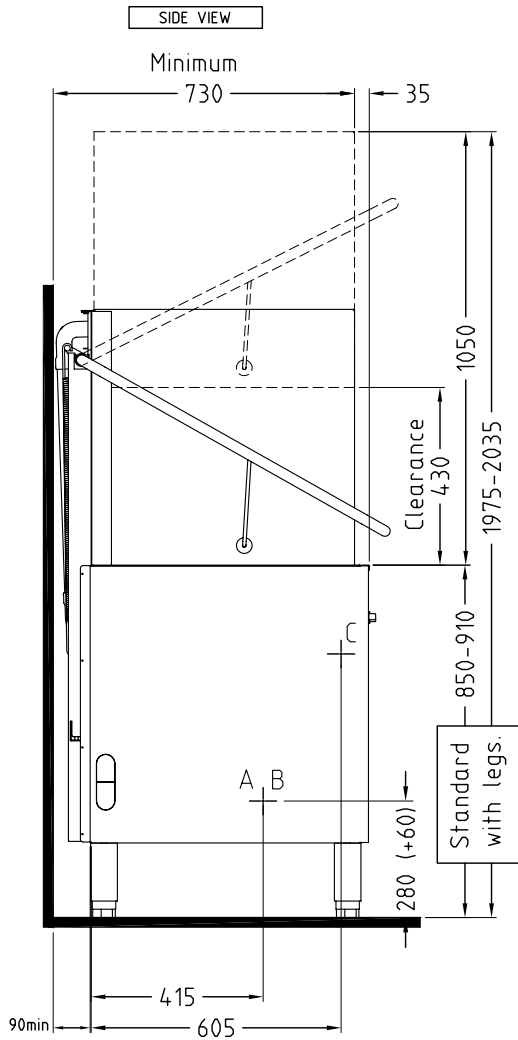
Insert pump inlet hose into container of commercial low foam detergent. Open machine door and switch machine on. Press and hold detergent prime switch behind front cover until chemical flows into machine. Commercial detergents can be hazardous – read instructions and handle with care.

Installation Checklist

Complete attached Installation Checklist to ensure machine is installed and running correctly, and operator is familiar with operating procedures.

AL (S) INSTALLATION DIAGRAM

AL(S) 09-03-07 1D



LEGEND

- A HOT WATER SUPPLY
- B WASTE
- C POWER SUPPLY

Installation Checklist

CHECK	OK / NOTES
-------	------------

Delivery

Supplied complete	<input type="checkbox"/>	no transit damage
-------------------	--------------------------	-------------------

Position

Level and stable	<input type="checkbox"/>	on sound, waterproof, self draining floor
------------------	--------------------------	-------------------------------------------

Water

Isolator valve fitted	<input type="checkbox"/>	Accessible, all fittings sound, no leaks
DCVs fitted (Washtech only)	<input type="checkbox"/>	Correct direction
Temperature	<input type="checkbox"/>	65 ± 5°C
Flow rate	<input type="checkbox"/>	Minimum 20 litres per minute
Pressure	<input type="checkbox"/>	200-400 kpa, limiter fitted if above this range
	<input type="checkbox"/>	Booster fitted if below this range
Cold water when required	<input type="checkbox"/>	Pressure not above 400 kpa
Hardness	<input type="checkbox"/>	Filter or softening if required

Power

Isolating switch	<input type="checkbox"/>	Fitted, functional and accessible
Supply as specified	<input type="checkbox"/>	Voltage, current, circuit breaker

Waste

Usually 40 mm	<input type="checkbox"/>	Sound, no leaks
Air gap on pumped drain	<input type="checkbox"/>	Very important GLV and UD models

Chemicals

	container	no leaks	primed	conc.OK
Detergent	<input type="checkbox"/>	<input type="checkbox"/>	<input type="checkbox"/>	<input type="checkbox"/>
Rinse Aid	<input type="checkbox"/>	<input type="checkbox"/>	<input type="checkbox"/>	<input type="checkbox"/>

Machine operation

Run several cycles	<input type="checkbox"/>	Including correct fill levels
Confirm correct operation	<input type="checkbox"/>	

Operator training

Confirm Operator has copy of Operator Manual and is familiar with procedures

Start-up	<input type="checkbox"/>	Model / Serial	<input type="checkbox"/>
Pre-rinse and racking	<input type="checkbox"/>	Owner	<input type="checkbox"/>
Machine operation	<input type="checkbox"/>	Location	<input type="checkbox"/>
Drain	<input type="checkbox"/>	Technician	<input type="checkbox"/>
Clean	<input type="checkbox"/>	Date	<input type="checkbox"/>
Shut-down	<input type="checkbox"/>	Signed	<input type="checkbox"/>

Dishwashing Procedures

for best results

Note : these are general instructions to assist in getting the best performance from Washtech dishwashers – some comments and / or illustrations may not apply to every unit.

Installation

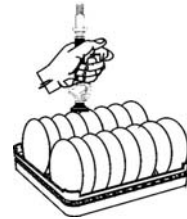


Read the Operator Manual. Correct installation, including an adequate supply of water at the correct temperature and pressure is essential for effective operation of your machine. Refer installation instructions for details. Drain hose outlet height is important on some models. Always install on a sound self-draining floor. Water softening is recommended in hard water areas - especially for glasswashing

Pre-rinsing



Pre-scraping of dishes is required by hygiene regulations. The best method is to pre-rinse with a pre-rinse spray unit - or alternatively by scraping or dunking in water.



Cutlery Procedures

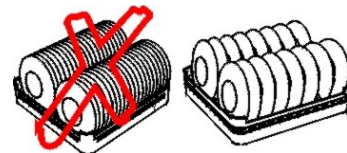


Pre-soak cutlery in warm water, preferably containing cutlery pre-soak compound - refer your chemical supplier.

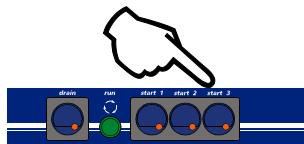
Do not overfill cutlery containers. Cutlery should be loose with handles down. Sort after washing rather than before. Cutlery of only one type nests together and obscures wash water.

Racking Procedures

Do not overload racks, minimize the overlap of crockery. Cycle times are short and water consumption per cycle low - so there is no advantage in overloading racks.



Cycle Times



For multi-cycle machine use the longest cycle whenever possible. Note that water consumption does not increase with longer cycles. Only choose shorter, faster cycles when necessary.



Detergent

Use of correct type and quantity of low foaming commercial grade detergent is essential to the performance of the machine. We strongly recommend that you use a professional dishmachine chemical supplier - and will be pleased to recommend a supplier in your region. Discuss with them the use of cutlery pre-soak solution, detergent and drying agent.



Dishwashing Procedures

for best results

Drying

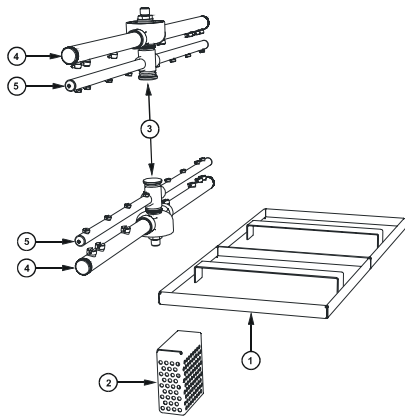


Single tank commercial dishwashers do not have a drying cycle. However, the machines do rinse at high temperatures which promote fast drying particularly when drying agents are used. We recommend prompt removal of the rack from the machine - leave the rack on the bench for 2 to 3 minutes before emptying. This time will be reduced with correct use of drying agent (rinse fluid) which reduces water surface tension and allows water to drain quickly from washware. For advice on drying agents and injectors refer to your chemical supplier.

Daily Cleaning

It is essential that the machine is drained and cleaned at the end of each day. Drain the machine then remove, clean and replace filters as per the operating instructions. Regularly check the wash and rinse jets and clean them if necessary – see below.

Regular Cleaning



1. Remove scrap trays^① and wash pump inlet filter^②, where fitted, and rinse or brush clean.

2. Remove wash and rinse arms by undoing the central thumbscrews^③. If necessary, remove the end cap screws^④ from the wash arms and the end screws^⑤ from the rinse arms and flush the arms with water and/or use a toothpick or paperclip to clear jets.

Note: arms and filters vary with model and may appear different from this illustration e.g. those models with plastic wash arms have removable jets for ease of cleaning

Regular Servicing

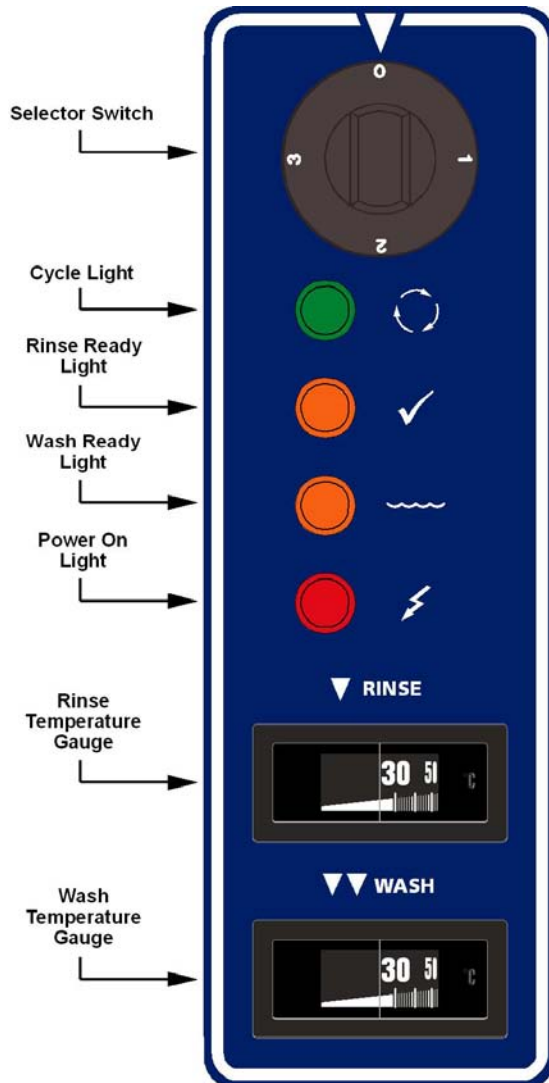
Regular servicing of the dishwasher is absolutely essential to keep the machine in top working condition and obtain the best performance.

Please contact Moffat or your Authorised Service Provider to organize regular servicing of the dishwasher - discuss a Preventative Maintenance Agreement for optimum performance and long machine life.



Note : these are general instructions to assist in getting the best performance from Washtech dishwashers – some comments and / or illustrations may not apply to every unit.

Operating Instructions



Start up

Fit drain upstand, wash pump filter, scrap tray and shut door.

Turn wall power switch on and select any cycle (1, 2 or 3).

Power light glows red and machine fills automatically.

Wash Ready light (water symbol) glows amber when wash tank is ready.

Rinse Ready light (tick symbol) glows amber when the machine is up to required temperature and ready to run.

Operation

Select required cycle (1, 2 or 3 for 40, 60 or 90 seconds cycle accordingly).

Try cycle 3 initially and switch to faster cycles only if necessary.

Load rack into machine and close door to start the machine.

Cycle light glows green while machine operates.

When Cycle light goes out, cycle is complete.

Open door and remove rack.

After removing rack from machine, DO NOT shut door as machine will start up again.

NOTE: Machine will not operate unless Ready lights are on.

Shut down every night

Turn machine and wall power switches off.

Remove drain upstand to drain wash tank.

Remove scrap tray and wash pump filter and rinse clean.

Replace drain upstand, filter and scrap tray.

Warranty

WASHTECH warrants that new **STARLINE products** are free from defects in material or workmanship for a period of one year from the date of purchase.

EXTENT OF WARRANTY

- Washtech shall repair or, at its discretion, replace any part of the machine found to be defective.
- The labour for the repairing or the replacement of defective parts shall be provided during normal office hours at no cost to the user.
- Washtech shall not otherwise be liable for any other loss or damage arising out of any person's use or inability to use the machine.
- Washtech shall not be liable for the cost of work done outside normal office hours, and for travel costs outside regional centres.

CONDITIONS OF WARRANTY

This warranty shall not be binding on Washtech unless the warranty registration card is completed and received by Washtech within 30 days from the date of purchase

This warranty shall be void if:

- The equipment has not been properly installed.
- Any person other than an authorised Washtech Service Provider has undertaken repairs or attempts at repair.
- The equipment has not been operated and maintained in accordance with the Operator Manual.
- Damage has resulted from shipment, handling, fire, water, accident, abuse, detergent equipment fitted by others or any other event beyond the control of Washtech.

Any defect must be notified to Washtech or its authorised dealer within 30 days of the discovery of the defect.

IF YOU WISH TO MAKE A WARRANTY CLAIM

- First check the things you can do for yourself. Refer to the Operator Manual provided to ensure that the machine is correctly installed and that you are familiar with its operation. If a service technician calls and determines that the equipment is not defective you will be charged with the cost of the call-out.
 - If you need service during the warranty period, first contact the dealer from whom you purchased the equipment. The Dealer will arrange service by Washtech or an authorised Starline Service Provider.
 - If you have a problem contacting your dealer or if your dealer is unable to assist, then please contact the Service Department, Washtech, telephone 09 829 0923.
 - When you write or call you will need to provide your name and address, the model and serial number (refer lower front cover) and the date of purchase so that your warranty claim may be validated.
-

Notes
